

FLOOR FREE 600/1200

600/1200



## WHO WE ARE?

- For more than a decade Arcotech has managed to position itself as an Israeli market leader in the field of blast protection and CBRN filtration systems for shelters and protected areas.
- Our wide range of solutions provides protection for all, from the smallest system for family protection to systems for the protection of thousands of people.
- Together with our international partners Arcotech solutions help protect thousands of people around the world where it really counts.
- The vast practical and real field experience we have gained through tens of thousands of our successful installations places us as one of the fast-growing companies in its field in the world.

## MAIN FEATURES

- Institutional system series is a series of air filtration systems for commercial and institutional applications.
- Each system includes :Electrical blower, Blast Valve Normally Open, Blast Valve Normally Close and 3 stages of filtration : Dust, Hepa and Chemical.
- Optional high wall / concealed installation to free up high value real estate or room in the shelter.
- Larger flow capacities can be achieved by combining various ARC systems or using our advanced BATTERY series.

## ADVANTAGES

- Systems are available in various filtration sizes as 180,240,300,450,600, 900,1200 & 1800 m<sup>3</sup>/h
- Thousands of our units are protecting more than a million people in Israel.
- Complies with SII (Standards Institution of Israel) standard SI 4570 (part 1 to 4)
- Complies with Israel home front command regulation.
- Our systems comply and are certified for SII 4570
- They are regularly and continuously tested by the National Standards Institute.



## APPLICATIONS

### Institutes



### Shopping Malls



### Factories



### Multiplex



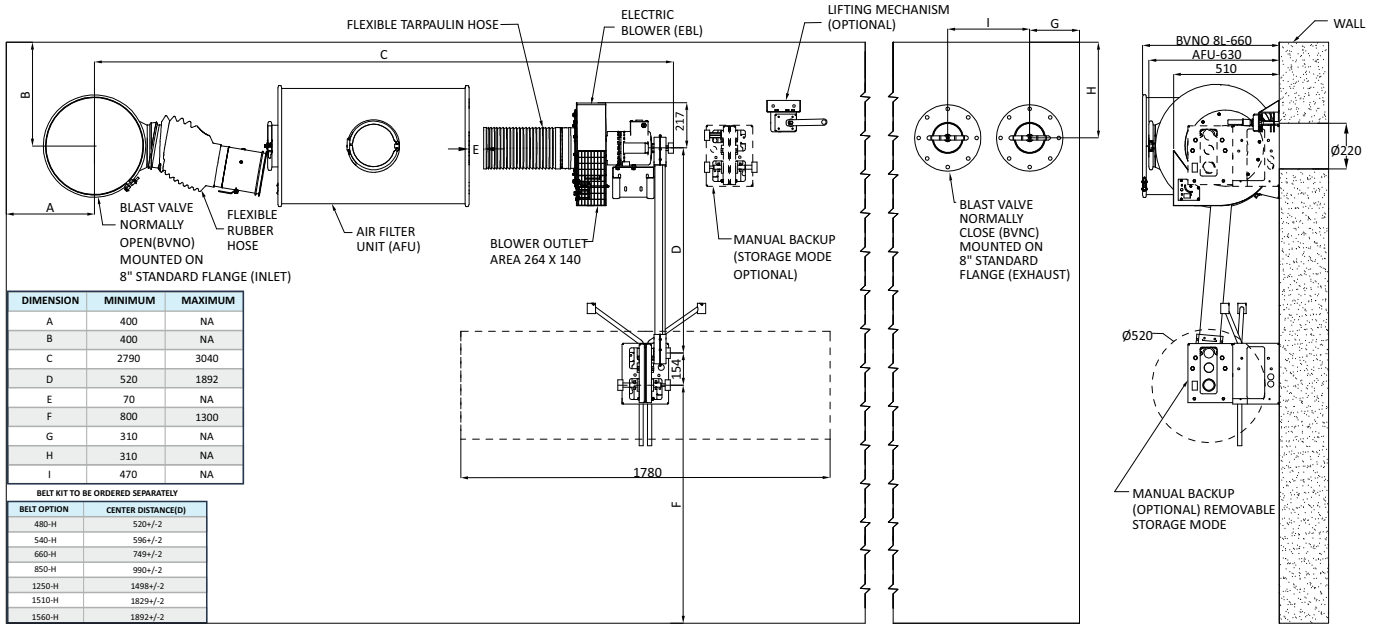


## TECHNICAL SPECIFICATIONS - FLOOR FREE 600/1200

Technical Specifications	Values	Units
<b>BLAST VALVE NORMALLY OPEN (BVNO 1000 8L)</b>		
Airflow (Ventilation mode)	1200	m <sup>3</sup> /h
Airflow (Filtration mode)	600	m <sup>3</sup> /h
Returned Pressure durability	>900 (9)	kPa (9)
Pressure drop (Ventilation mode)	47	mmWC
Pressure drop (Filtration mode)	15	mmWC
Weight of Anti-Blast Valve	40	Kg
<b>AIR FILTER UNIT (AFU 600)</b>		
Airflow rate	600	m <sup>3</sup> /h
Pressure Drop at Nominal Flow	50	mmWC
Weight of active carb	59	Kg
Weight of Air filter unit	145	Kg
Efficiency	≥99.995	%
<b>CENTRIFUGAL BLOWER (EBL 600)</b>		
Airflow (Ventilation mode)	1200	m <sup>3</sup> /h
Airflow (Filtration mode)	600	m <sup>3</sup> /h
Pressure drop (Ventilation mode)	120	mmWC
Pressure drop (Filtration mode)	155	mmWC
Electric motor (Voltage)	230	V
Electric motor (Current)	2.2	A
Manual operation	4	Person
Frequency	50/60	Hz
<b>BLAST VALVE NORMALLY CLOSED (BVNC 300 8Y)</b>		
Airflow (Ventilation mode)	1200	m <sup>3</sup> /h
Airflow (Filtration mode)	600	m <sup>3</sup> /h
Returned pressure durability	>900 (9)	kPa (bar)
Pressure drop (Ventilation mode)	36	mmWC
Pressure drop (Filtration mode)	20	mmWC

## FLOOR FREE 600/1200 CMH

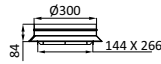
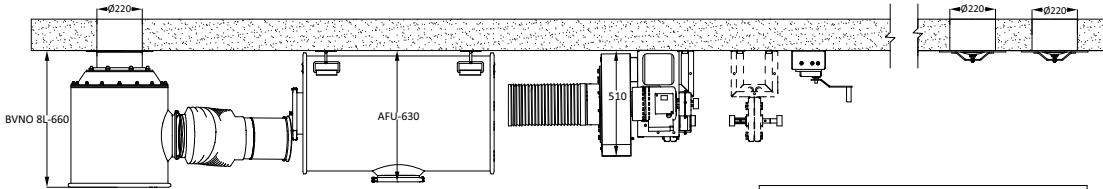
### FLOOR FREE 600/1200 CMH



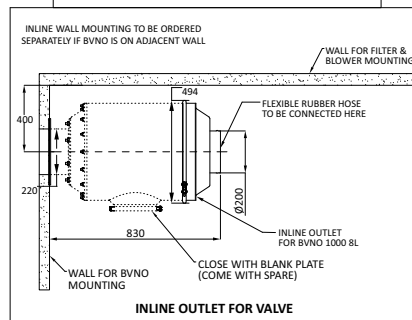
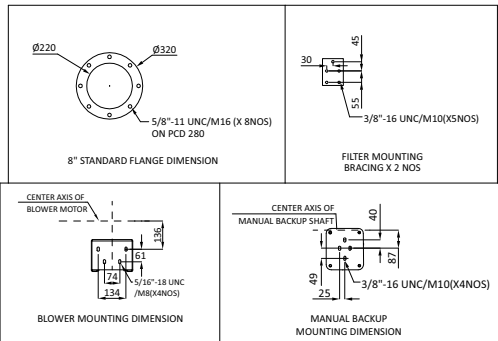
DIMENSION	MINIMUM	MAXIMUM
A	400	NA
B	400	NA
C	2790	3040
D	520	1892
E	70	NA
F	800	1300
G	310	NA
H	310	NA
I	470	NA

**BELT KIT TO BE ORDERED SEPARATELY**

BELT OPTION	CENTER DISTANCE(D)
480-H	520+/-2
540-H	596+/-2
660-H	749+/-2
850-H	990+/-2
1250-H	1498+/-2
1510-H	1829+/-2
1560-H	1892+/-2



**BLOWER OUT CONNECTOR KIT FOR DUCTING**  
 \*\* AVAILABLE PRESSURE DROP FOR DUCTING 150 Pa.



DATE:14/06/2023  
 NOTE : ALL DIMENSION IN MM