

FILTRATION SYSTEMS FOR COMMERCIAL APPLICATIONS

ARC
900



WHO WE ARE?

- For more than a decade Arcotech has managed to position itself as an Israeli market leader in the field of blast protection and CBRN filtration systems for shelters and protected areas.
- Our wide range of solutions provides protection for all, from the smallest system for family protection to systems for the protection of thousands of people.
- Together with our international partners Arcotech solutions help protect thousands of people around the world where it really counts.
- The vast practical and real field experience we have gained through tens of thousands of our successful installations places us as one of the fast-growing companies in its field in the world.

MAIN FEATURES

- ARC series is a series of air filtration systems for commercial and institutional applications.
- Each system includes :Electrical blower, Blast Valve Normally Open, Blast Valve Normally Close and 3 stages of filtration : Dust, Hepa and Chemical.
- Optional high wall / concealed installation to free up high value real estate or room in the shelter.
- Larger flow capacities can be achieved by combining various ARC systems or using our advanced BATTERY series.

ADVANTAGES

- Systems are available in various sizes as 180,240,300,450,600,900,1200 & 1800 m³/h
- Thousands of our units are protecting more than a million people in Israel.
- Complies with SII (Standards Institution of Israel) standard SI 4570 (part 1 to 4)
- Complies with Israel home front command regulation.
- Our systems comply and are certified for SII 4570
- They are regularly and continuously tested by the National Standards Institute.



APPLICATIONS

Institutes



Shopping Malls



Factories



Multiplex



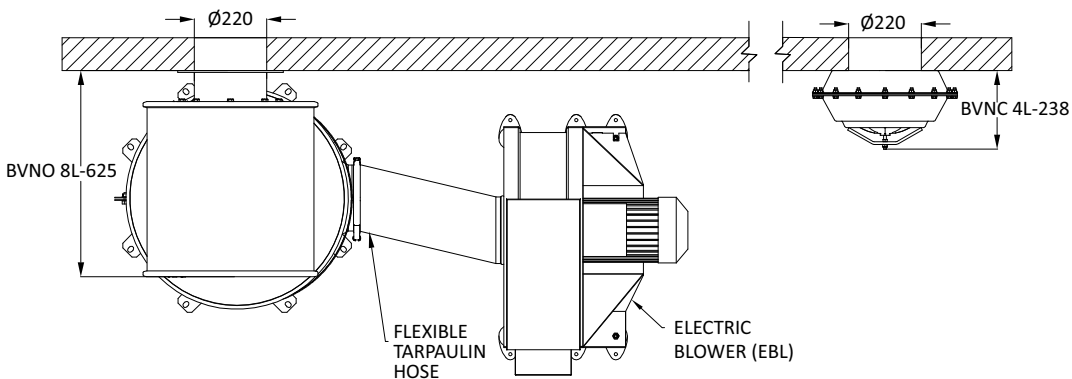
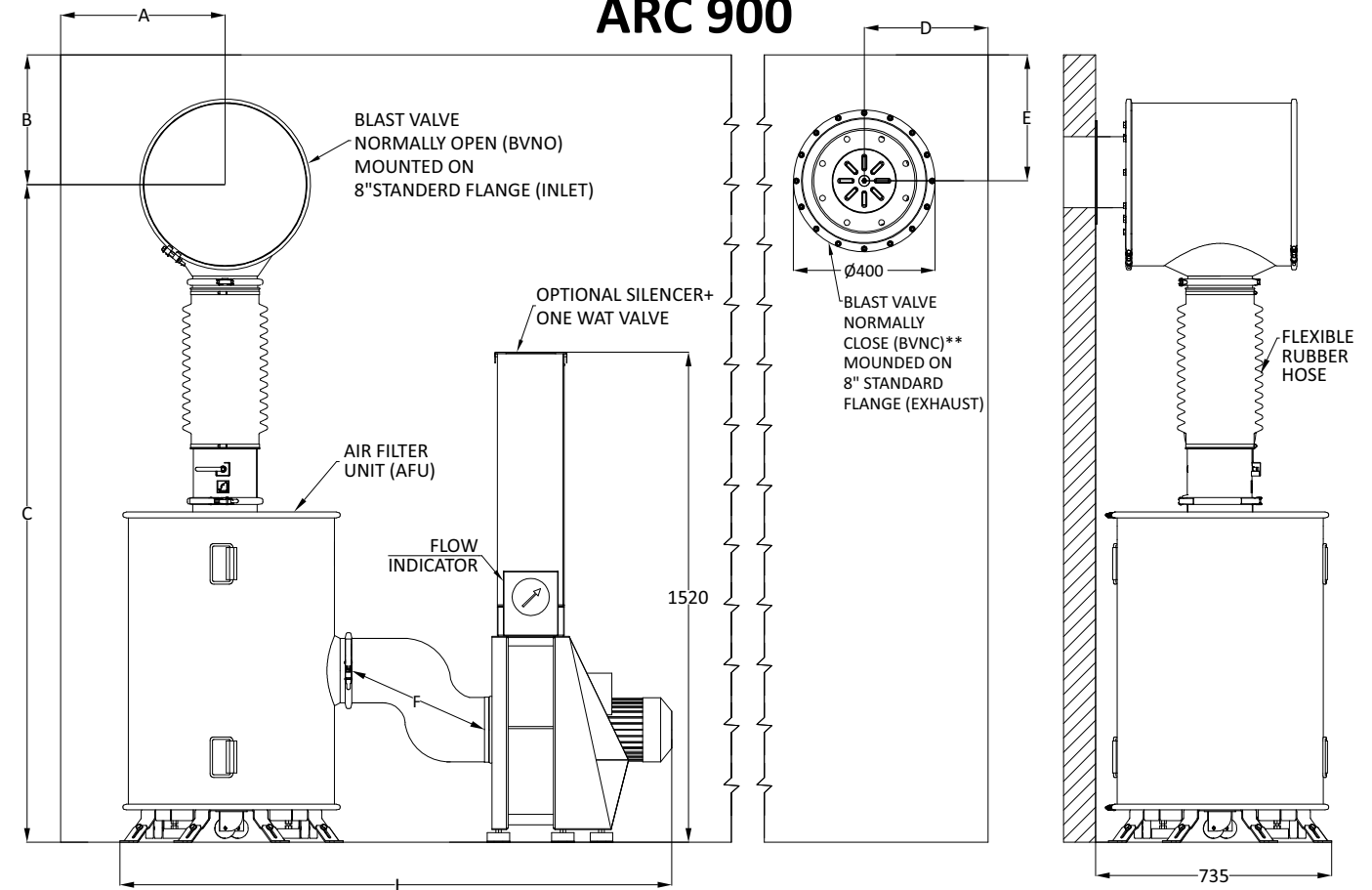


TECHNICAL SPECIFICATIONS - ARC 900

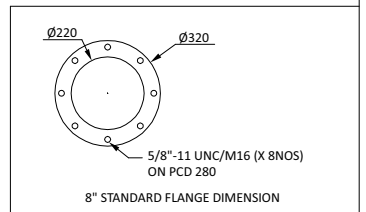
Technical Specifications	Values	Units
BLAST VALVE NORMALLY OPEN (BVNO 1800 8L)		
Airflow (Ventilation mode)	1800	m ³ /h
Airflow (Filtration mode)	900	m ³ /h
Returned Pressure durability	>900 (9)	kPa (bar)
Pressure drop (Ventilation mode)	370	mmWC
Pressure drop (Filtration mode)	110	mmWC
AIR FILTER UNIT (AFU 900)		
Airflow rate	900	m ³ /h
Pressure Drop at Nominal Flow	100	mmWC
Weight of active carb	94	Kg
Weight of Air filter unit	195	Kg
Efficiency	≥99.995	%
CENTRIFUGAL BLOWER (EBL 2400)		
Airflow (Ventilation mode)	1800	m ³ /h
Airflow (Filtration mode)	900	m ³ /h
Pressure drop (Ventilation mode)	2630	mmWC
Pressure drop (Filtration mode)	2760	mmWC
Electric motor (Voltage)	400-415	V
Electric motor (Current)	4.1	A
Frequency	50/60	Hz
BLAST VALVE NORMALLY CLOSED (BVNC 600 8Y)		
Airflow (Ventilation mode)	1800	m ³ /h
Airflow (Filtration mode)	900	m ³ /h
Returned pressure durability	>900 (9)	kPa (bar)
Pressure drop (Ventilation mode)	300	mmWC
Pressure drop (Filtration mode)	170	mmWC

ARC 900

ARC 900



DIMENSION	MINIMUM	MAXIMUM
A	415	NA
B	415	NA
C	1940	2190
D	370	NA
E	370	NA
F	400	2450
I	1700	3700



** Number of BVNC can be reduced by using capacity BVNCs, For selection please contact our website or refer BVNC catalogue.

DATE: 26-09-2023
NOTE : ALL DIMENSION IN MM