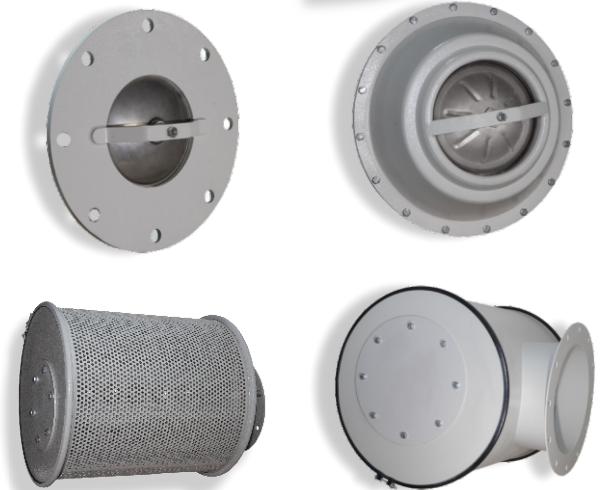


BLAST VALVES NORMALLY CLOSED

BVNC Series



WHO WE ARE?

- For more than a decade Arcotech has managed to position itself as an Israeli market leader in the field of blast protection and CBRN filtration systems for shelters and protected areas.
- Our wide range of solutions provides protection for all, from the smallest system for family protection to systems for the protection of thousands of people.
- Together with our international partners Arcotech solutions help protect thousands of people around the world where it really counts.
- The vast practical and real field experience we have gained through tens of thousands of our successful installations places us as one of the fast-growing companies in its field in the world.

MAIN FEATURES

- Blast valves are used to stop implosive and explosive blast waves from penetrating the protected structure.
- Normally open Blast valves are installed on the air intake, allowing high volume air flows, with minimal pressure drops for daily operation.
- Normally closed Blast valves are installed on the exhaust side, allowing controlled air replacement and creating the desired internal air over - pressure.

ADVANTAGES

- The valves are extremely durable and withstand heat and corrosion.
- Normally open Blast valves can be equipped with a dust pre-filter for removing dust particles.
- The valves are low in pressure drops and are maintenance.
- Our systems comply and are certified for SII 4570
- They are regularly and continuously tested by the National Standards Institute.



APPLICATIONS

Critical Infrastructure



Data Centers



Oil Refineries



Power Plants



TECHNICAL SPECIFICATIONS

Properties	Units	Normally Closed Blast Valves					
Available Models		BVNC 40 4Y	BVNC 300 8Y	BVNC 600 8Y	BVNC 1500 8Y	BVNC 2100 14Y	BVNC 3300 14Y
Standard Flange	Inch	4	8	8	8	14	14
Air Flow At 200 Pa	m ³ /h	40	300	600	1500	2100	3300
Returned Pressure Durability	Kpa (bar)	>900 (9)					
Mechanical Shock Resistance	g	>12					
Working Temperature Range	°C	-20 to +70					

Table 1: BVNC Optional Selection Table*

FLOW (CMH)	30-60	60-300	300-600	600-1500	1500-2100	2100-3600
@P.D.200 (Pa) MODEL TO BE SELECTED	BVNC 40 4Y	BVNC 300 8Y	BVNC 600 8Y	BVNC 1500 8Y	BVNC 2100 14Y	BVNC 3300 14Y

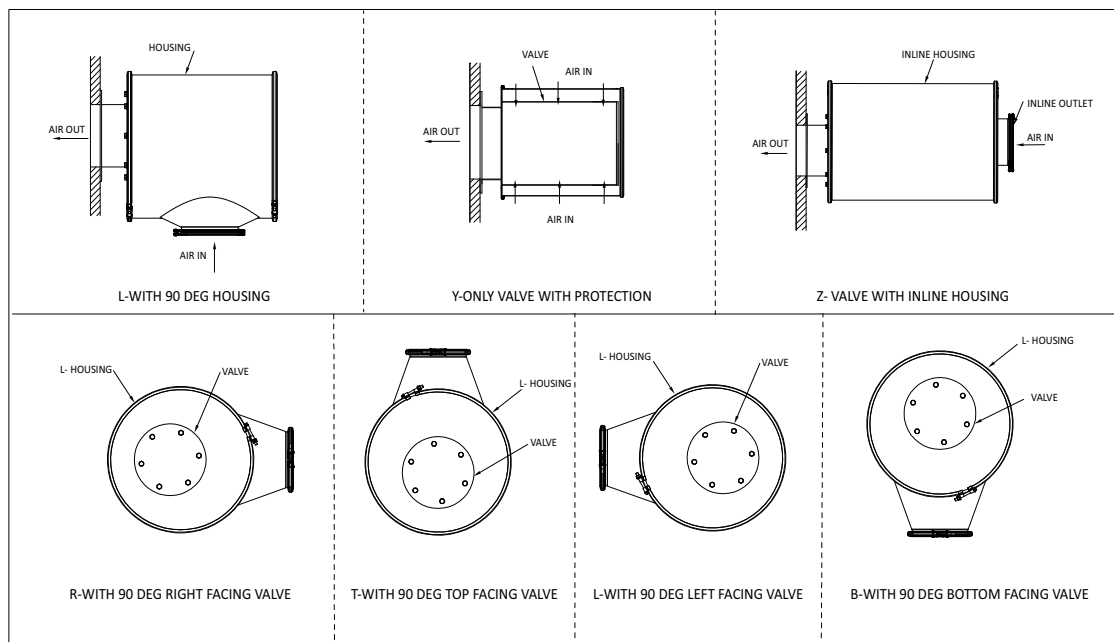


Figure 1

*Note: For more options and fittings, please see our detailed catalogue or contact our team

HOW TO ORDER

Use the **bold** characters from the chart below to construct a product code.

