

HIGH STATIC BLOWERS

EBL Series



WHO WE ARE?

- For more than a decade Arcotech has managed to position itself as an Israeli market leader in the field of blast protection and CBRN filtration systems for shelters and protected areas.
- Our wide range of solutions provides protection for all, from the smallest system for family protection to systems for the protection of thousands of people.
- Together with our international partners Arcotech solutions help protect thousands of people around the world where it really counts.
- The vast practical and real field experience we have gained through tens of thousands of our successful installations places us as one of the fast-growing companies in its field in the world.

MAIN FEATURES

- Arcotech blowers are high efficiency multi-purpose Backward Curved Blade radial blowers.
- The blowers are designed to supply air to the shelter through the Blast Valves and filtering system to create the over pressure required.
- The blowers are designed to work with the full range of Arcotech filtering solutions.
- Blower have been carefully tested and approved by SII (Standard Institute of Israel)



ADVANTAGES

- High efficiency for significant energy savings.
- The blowers are corrosion resistant and maintenance free.
- The following additions can be ordered with the blower:
 - Quick connections
 - Shock absorbers
 - Flexible hoses
 - Silencer
 - One way valve
 - Air flow/pressure meter.
 - Connection to BMS (Building Management Systems)
- Our systems comply and are certified for SII 4570
- They are regularly and continuously tested by the National Standards Institute.

APPLICATIONS

Critical Infrastructure



Data Centers



Oil Refineries

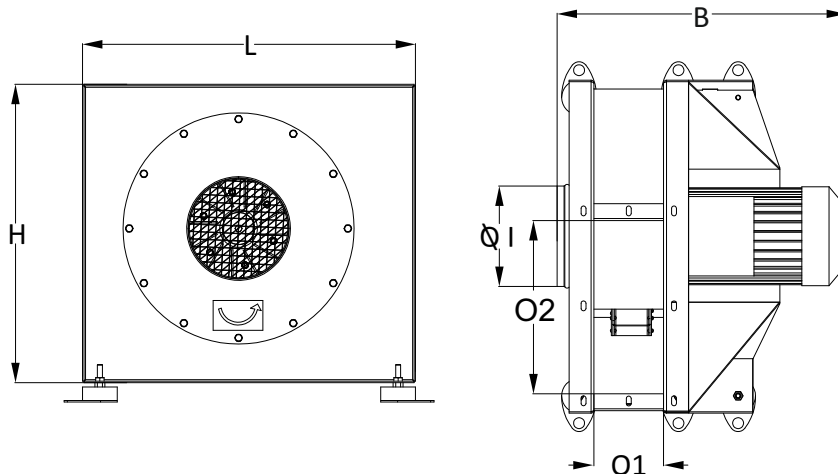


Power Plants



TECHNICAL SPECIFICATIONS

Properties	Units	High Static Blowers												
Model Numbers		EBL 36	EBL 180	EBL 300	EBL 600	EBL 800	EBL 2400	EBL 3600	EBL 4800	EBL 5400	EBL 6000	EBL 7200	EBL 9000	EBL 10800
Nominal air flow	m ³ /h	36	180	300	600	800	1200	1800	2400	2700	3000	3600	4800	5400
Static pressure (At Nominal air flow)	Pa	980	1300	1220	1430	1760	2760	2630	4455	3930	3280	3480	5300	4800
Nominal power used	Kw	0.04	0.6	0.65	0.7	1.2	2.5	4.3	4.7	6.4	6.69	8.8	12.7	13
Voltage	V	12 VDC	230 VAC			400~415 VAC								
Phase	Ph	1			3									
Motor power	Kw	0.042	0.75	0.75	0.75	1.1	2.7	5.5	5.5	7.5	7.5	11	15	15
Max current	A	3.3	2.2	2.2	2.2	1.7	4.1	8.3	10.4	13.8	13.8	19.9	26.5	26.5
Max Speed	rpm	7500			2800									



SR. NO.	MODEL NAME	LENGTH L (mm)	BREADTH B (mm)	HEIGHT H (mm)	INLET SIZE I (mm)	OUTLET SIZE O1XO2 (mm)
1	EBL 180	385	540	420	Ø 150	115x120
2	EBL 300	385	540	420	Ø 200	115x120
3	EBL 600	500	580	500	Ø 200	140x250
4	EBL 2400	670	580	600	Ø 200	140x350
5	EBL 3600	755	620	700	Ø 200	190x158
6	EBL 4800	740	700	710	Ø 250	215x274
7	EBL 5400	990	850	960	Ø 404	288x403
8	EBL 6000	997	849	960	Ø 404	288x403
9	EBL 7200	997	849	960	Ø 404	288x403
10	EBL 9000	1110	934	1070	Ø 454	316x450
11	EBL 10800	1140	770	1100	Ø 455	270x650